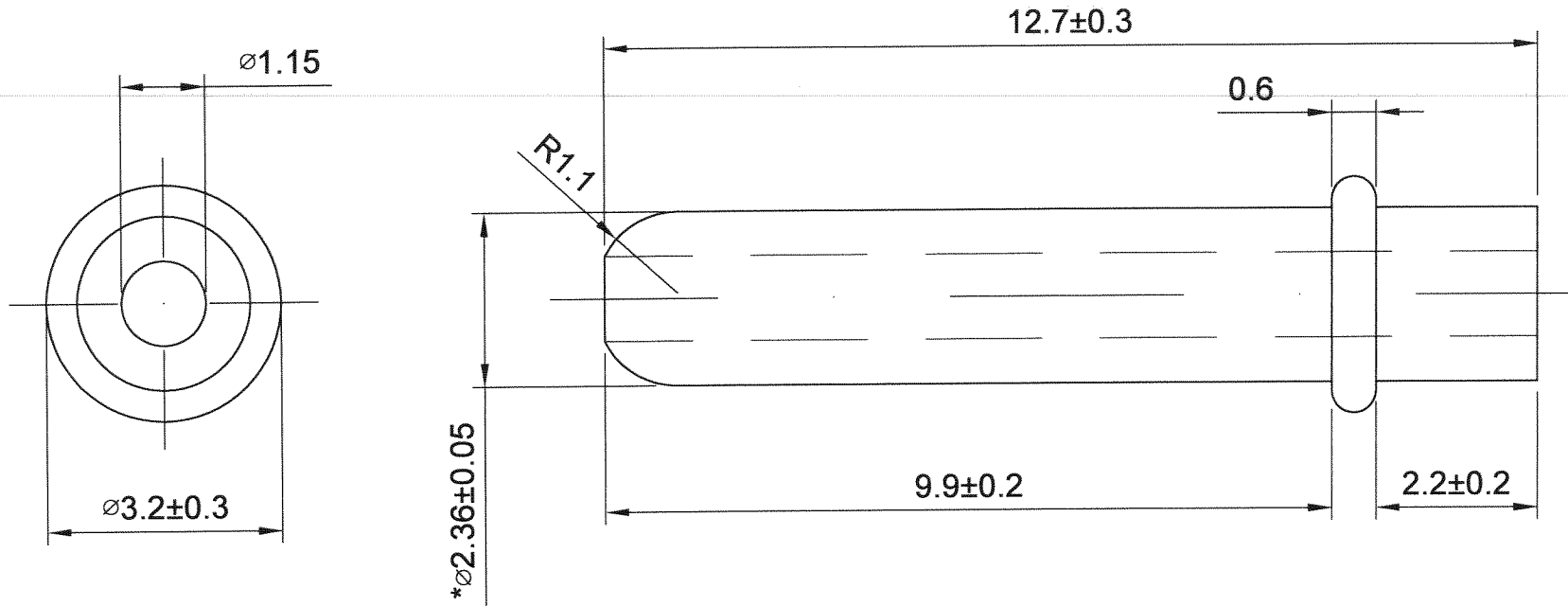


RoHS  
Compliant  
2002/95/EC



NOTES :

1. MATERIAL : BRASS
2. FINISH : 120μ" TIN PLATED

**JAWS**® 兆旭股份有限公司  
JAWS CO., LTD.  
7F-1, NO.31, Lane 169, Kang Ning Street,  
Hsichih, Taipei Hsien, Taiwan.  
TEL: 886-2-2692-2898  
FAX: 886-2-2692-2618  
Http://www.jaws.com.tw

THIRD ANGLE PROJECTION		DESIGN UNITS <input checked="" type="checkbox"/> mm <input type="checkbox"/> INCH	TITLE: ∅ 2.36 x 12.7mm PIN		GENERAL TOLERANCES :		DRAWN	游熾瑩	DATE	97/09/19
SIZE: A4	SCALE: FREE	SHEET: 1/1	PARTS NO.: 4236A-PIN-127		X.	±0.30	CHECK	鄧坤峰	DATE	97.9.22
CPN NO.:		DWG NO.: JAWS-SOP-4236A007		REV. 01	X.XX	±0.10			APPROVE	陳世宦
DAN NO.: S9709-037					ANGLE	±N/A				